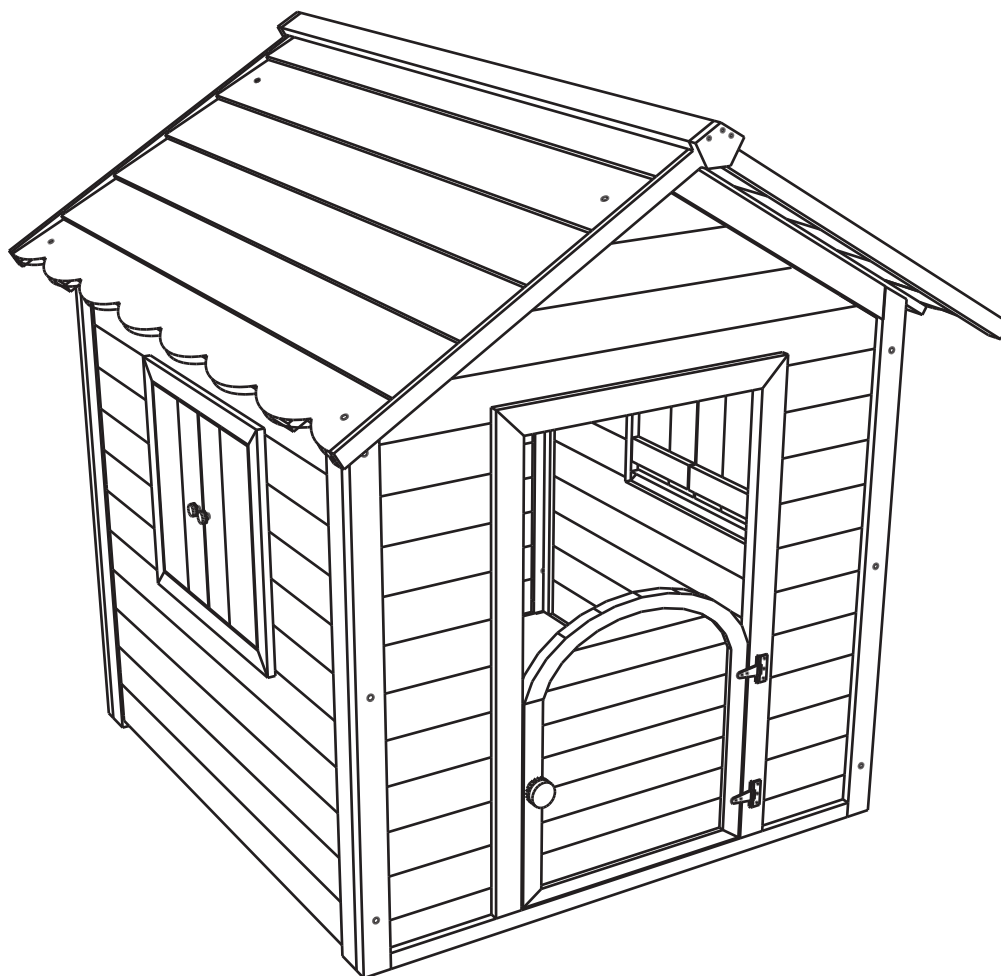


Ref: KNH1001

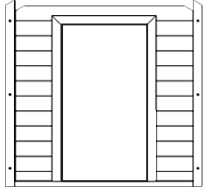
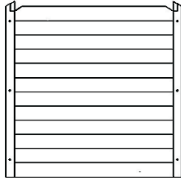
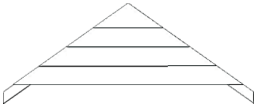

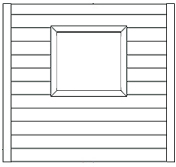
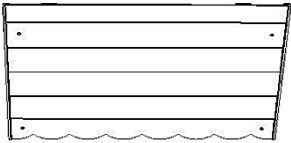

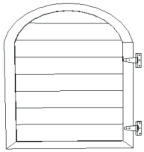



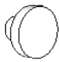

KELA















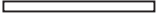


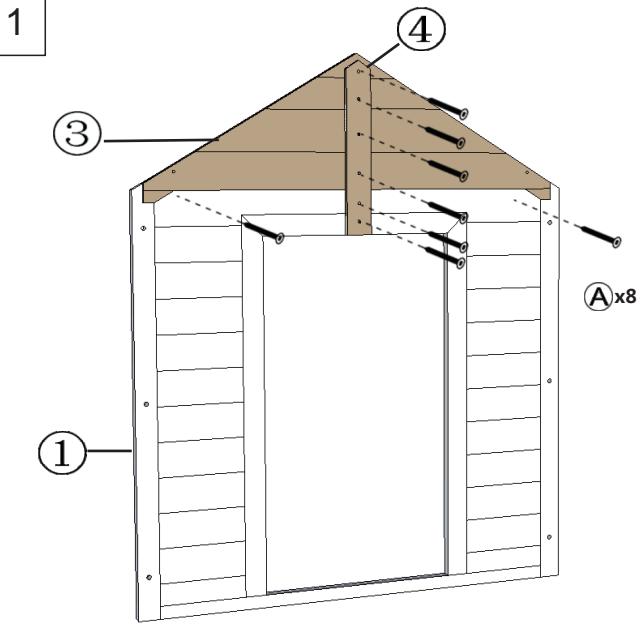
info@kovyx.com / CIF B83904086  
C/ de las Moreras 1- Naves 7- 10  
28350 - Ciempozuelos (Madrid)



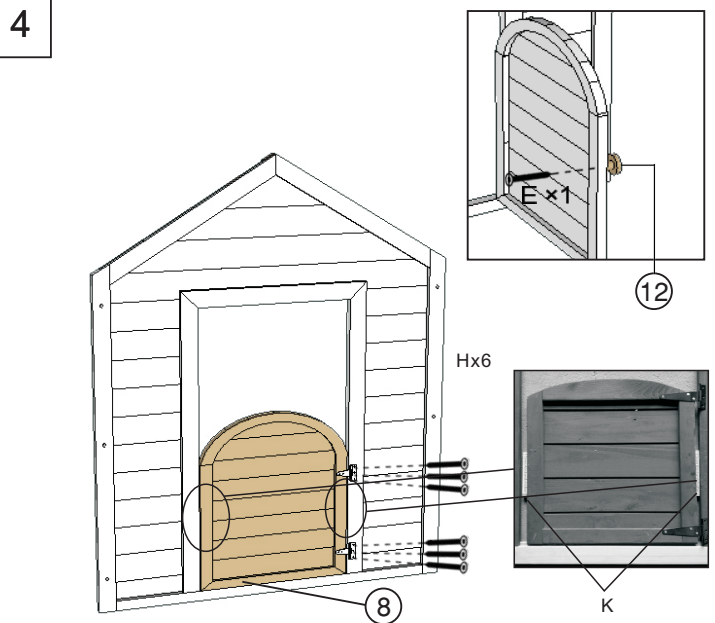
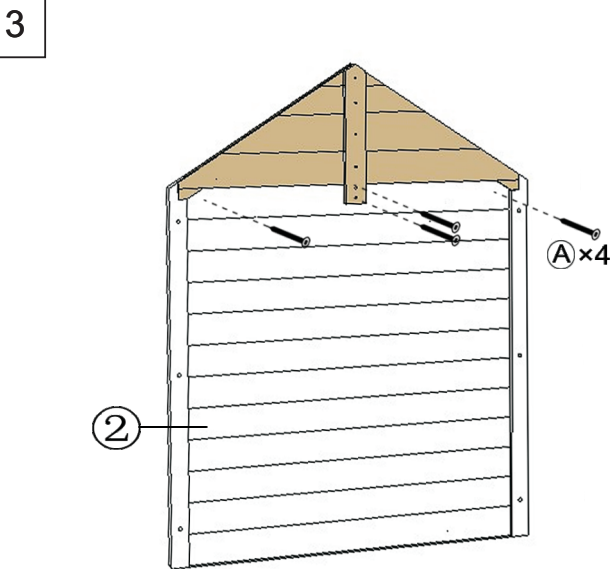
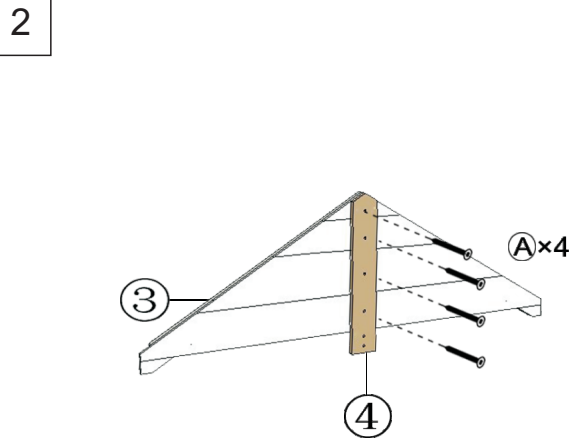
**Instrucciones de Montaje**  
**Assembly Instructions**  
**Instructions de Montage**  
**Instuzões de montagem**

1		1
2		1
3		2
4		2
5		2
6		2
7		2
8		1
9		1
10		1
11		2
12		1
13		4

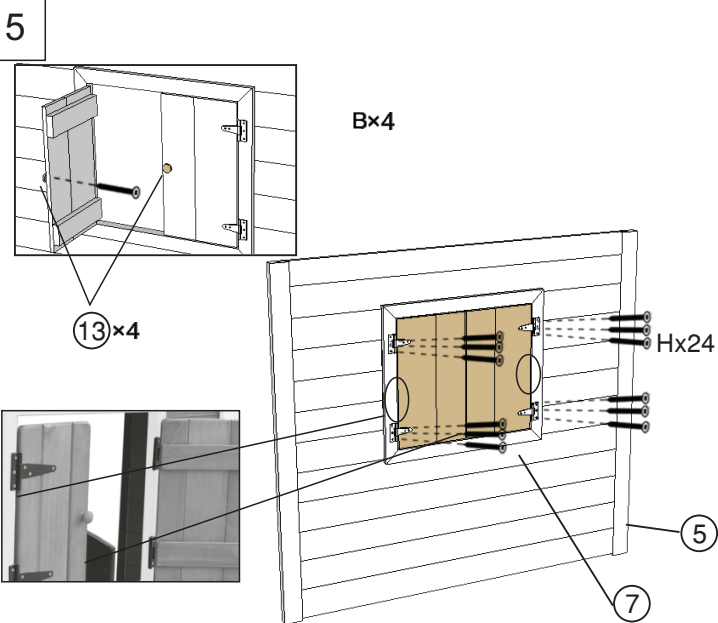
14		10
15		1
16		1
17		4
A	 Ø3.0*22	64
B	 Ø3.0*28	14
C	 Ø3.0*25	6
D	 Ø3.5*30	8
E	 Ø3.5*40	1
F	 Ø3.5*50	12
G	 Ø3.5*24	8
H	 Ø3.0*16	30
I		4
J		8
K	 13mm space	



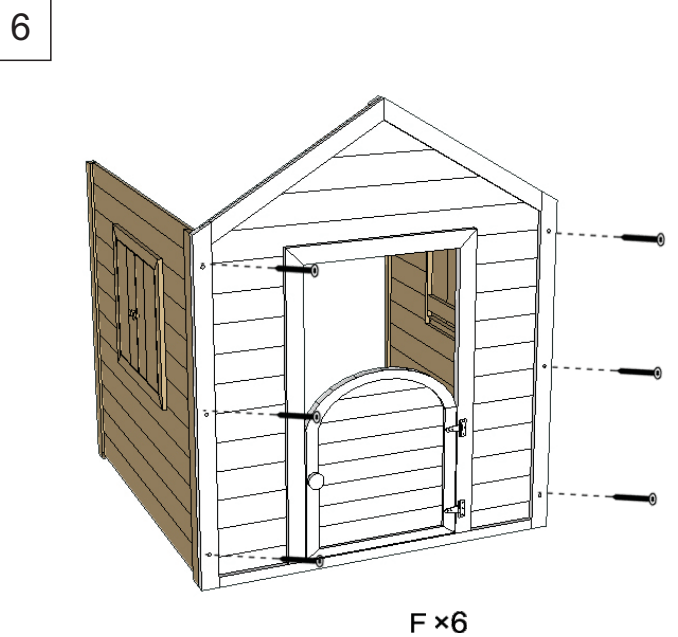
Align Part 4 with bottom edge of door frame . Fix it by 4 pcs screws



When installing the door and the window, please make sure that there is gap 13mm left

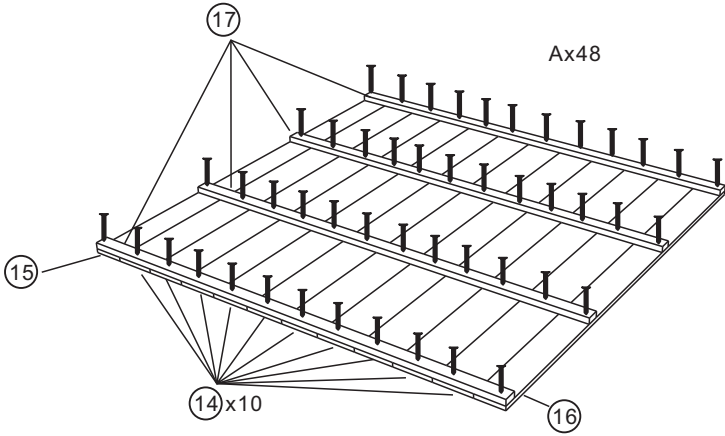


When installing the door and the window, please make sure that there is gap 13mm left

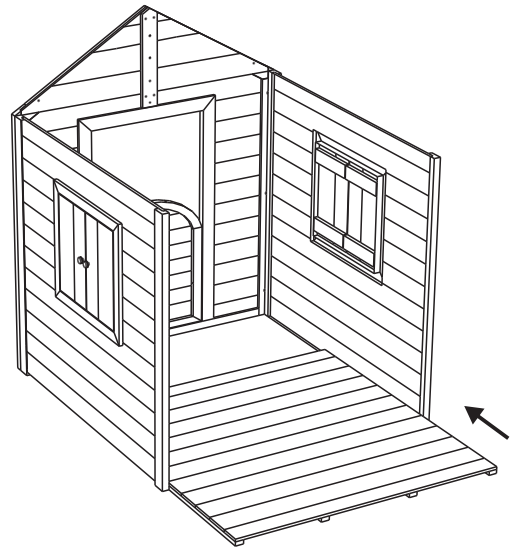


F x 6

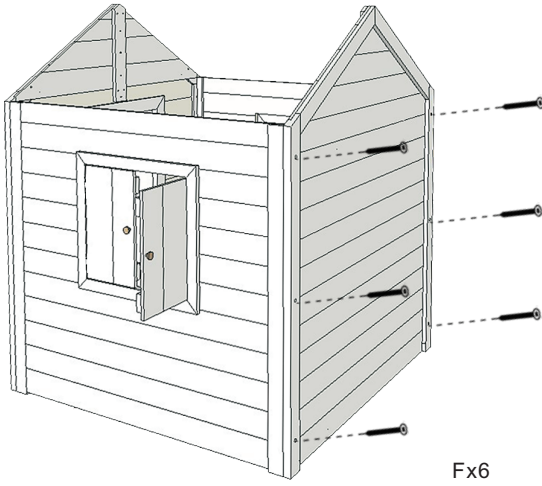
7



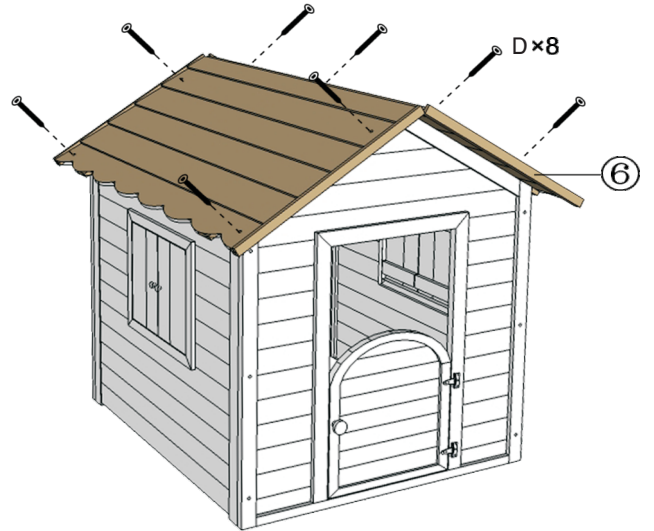
8



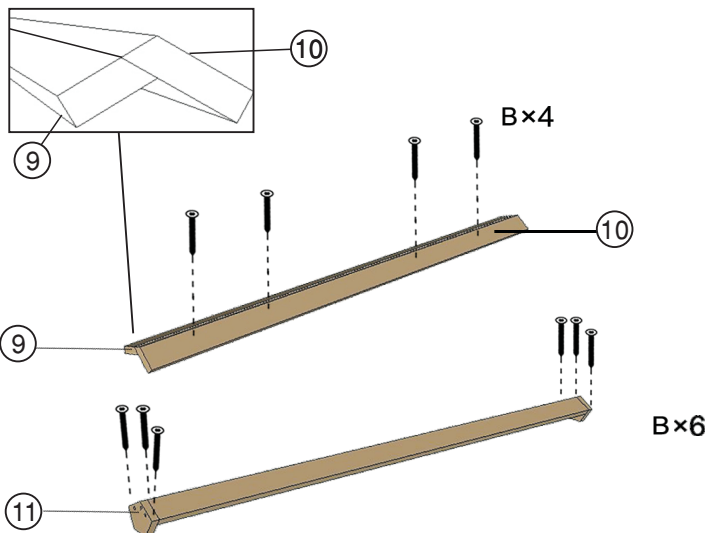
9



10



11



12

